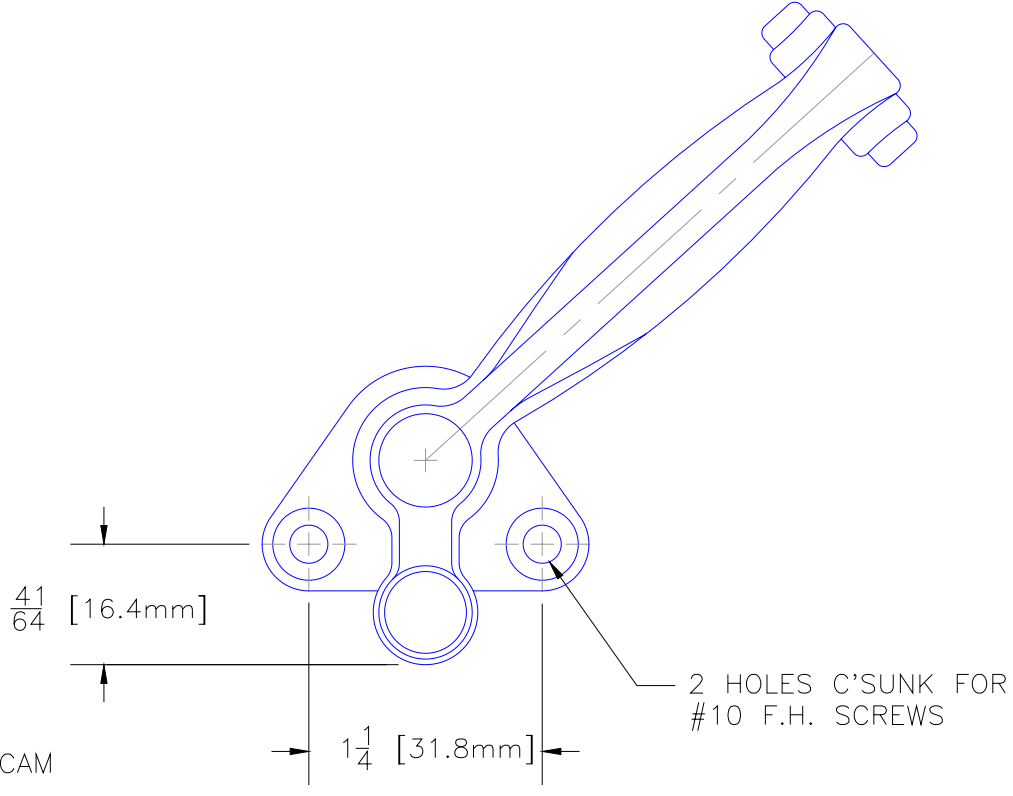
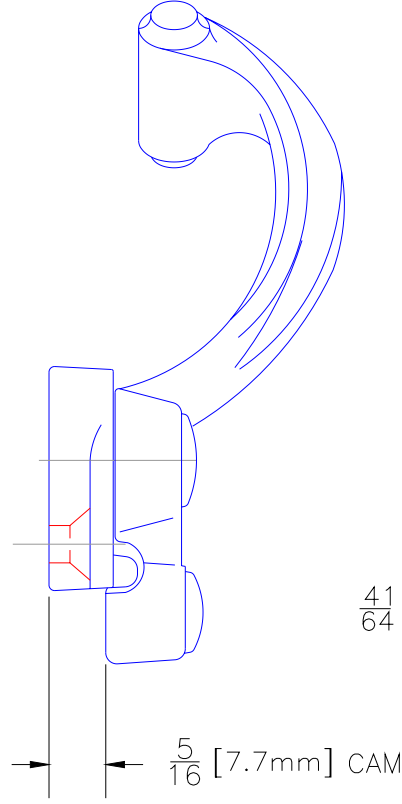


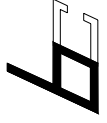
ORIGINAL

DO NOT USE FOR PRODUCTION

DO NOT USE FOR PRODUCTION

Rev	CHANGE	Date
A	EST'B DRAWING FOR CATALOG	11/28/05



DESCRIPTION HANDLE ASSEMBLY	TOLERANCES UNLESS OTHERWISE SPECIFIED: MACHINED FEATURES FRAC. ± 1/64 DECIMAL XX ± .01 XXX ± .005 ANGULAR ± 1° HOLE DIA. +.003/- .002		 THE BRONZE CRAFT CORP. NASHUA, N.H.	
	CONTENT OF THIS DRAWING IS THE INTELLECTUAL PROPERTY OF THE BRONZE CRAFT CORPORATION AND CAN NOT BE USED OR COPIED IN ANY FORM WITHOUT THE EXPRESS WRITTEN CONSENT OF THE BRONZE CRAFT CORPORATION. PLEASE CONTACT THE BRONZE CRAFT ENGINEERING OFFICE WITH QUESTIONS. ©2005	B/C ITEM NUMBER 162-123		CONSTANT WITH PRODUCTION REV. D
	DRAWN BY DEA 11/28/05 APPROVED BY DEA 12/7/05 BRONZE CRAFT CATALOG DRAWING	B/C ITEM NUMBER 162-123		

DO NOT USE FOR PRODUCTION

DO NOT USE FOR PRODUCTION

ORIGINAL