

# DETACHABLE RESTRICTOR

## DETACHABLE RESTRICTOR

KEY RELEASE  
RESTRICTOR STAY FOR  
USE WITH STERLING AND  
STORM COMMERCIAL  
HINGES

- Tested to BS 6375 Part 2 to withstand a force of 600N when opened at the restricted position
- Austenitic 304 stainless steel
- Compatible with all Securistyle commercial hinges including the Storm hinge
- 10 year guarantee (details available upon request)

▼ **RELEASE KEY**  
Dedicated release key allowing the restrictor stay to be detached.



▶ **LOCKING PIN**  
Unique locking pin design allowing simple detachment/engagement of the restrictor stay.



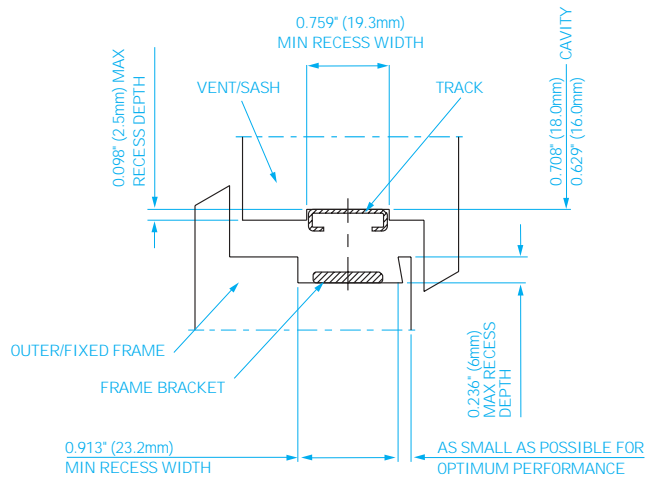
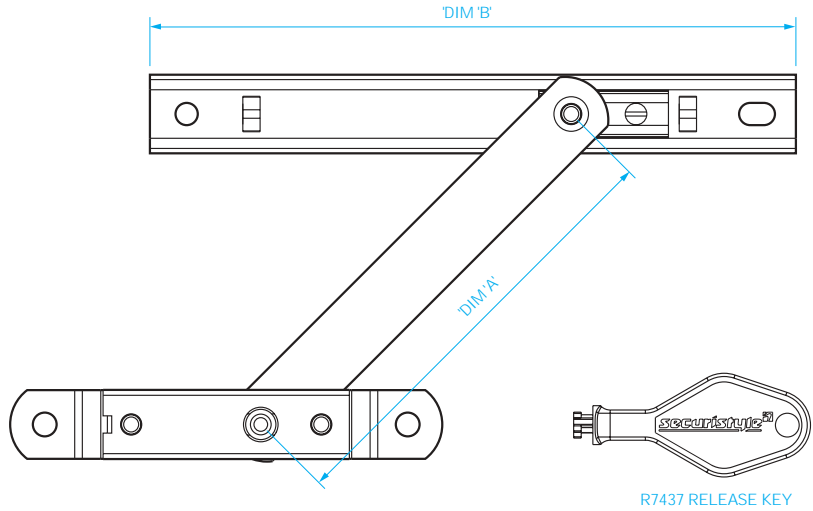
▶ **HEAVY DUTY FRICTION SLIDER**  
Stainless steel composite slider to give maximum strength yet perform with the smoothest of action.



# DETACHABLE RESTRICTOR

## PRODUCT SPECIFICATION

- Easy to fit no routing required
- Can be used on windows without reinforcement
- Suitable for 16mm to 18mm cavity heights
- Non handed product
- Keys available separately



### DETACHABLE RESTRICTER STAY

Part Number	Description	Dim 'A' (in/mm)	Dim 'B' (in/mm)	Boxed Qty.
SDR4	4" Detachable Restrictor Assembly	4/101.6	5.9/150	50
SDR6	6" Detachable Restrictor Assembly	6/152.4	7.87/200	50
SDR8	8" Detachable Restrictor Assembly	8/203.2	7.87/200	50
SDR10	10" Detachable Restrictor Assembly	10/254	9.84/250	50
R7437	Release Key			10



Due to our policy of continual improvement we reserve the right to alter specifications without notice. It is the responsibility of the window manufacturer to ensure that the finished window meets the required performance and safety specification.

All transactions are subject to our standard conditions of supply, which are available on request.