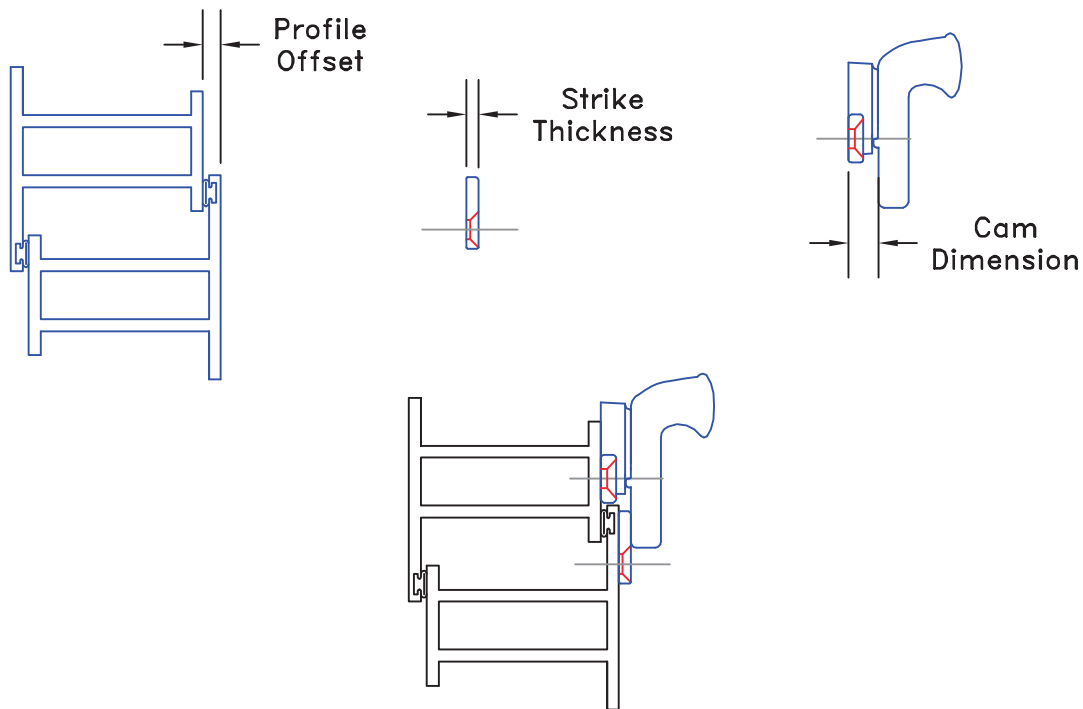


## Project Out Hardware Selection Guide

Choosing the correct project out hardware is dependent upon a few important dimensions. The critical dimension is the window profile offset, as shown below. This dimension is dictated by the specific window profile and can be used to determine the appropriate hardware. The handle geometry dictates the cam dimension and the appropriate strike to use. These dimensions can be found on the following catalog pages.



The following simple formula can then be used to determine the correct dimensions.

$$\text{Cam Dimension} = \text{Profile Offset} + \text{Strike Thickness}$$

For example, a window with a profile offset of  $3/16"$  could use a handle with a cam dimension of  $5/16"$  plus a strike with  $1/8"$  thickness.  $5/16" = 3/16" + 1/8"$

In the case of a flush mount condition, where the frame and sash profiles are inline, the handle's cam dimension equals the strike thickness.  $\text{Cam Dimension} = \text{Strike Thickness}$