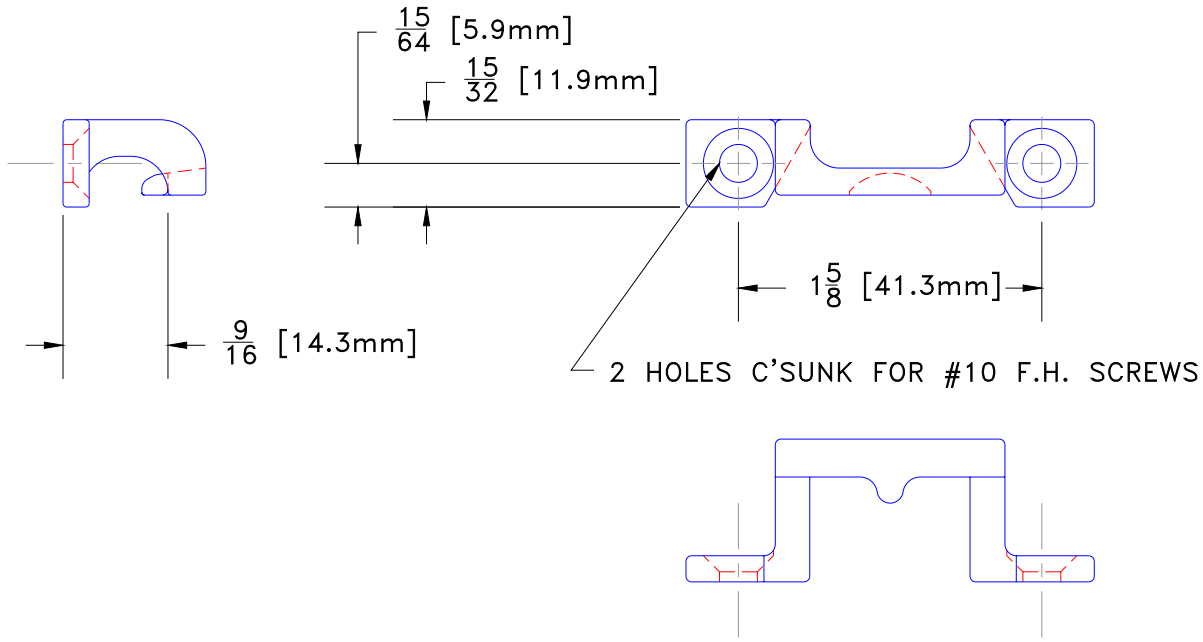


ORIGINAL

DO NOT USE FOR PRODUCTION

DO NOT USE FOR PRODUCTION

Rev	CHANGE	Date
A	EST'B DRAWING FOR CATALOG	2/2/06



DESCRIPTION	KEEPER	
DRAWN BY	MJS	2/2/06
APPROVED BY	MJS	2/2/06
BRONZE CRAFT CATALOG DRAWING		

INTELLECTUAL PROPERTY NOTICE:
 THIS DRAWING AND THE DESIGN REPRESENTED HEREIN ARE THE INTELLECTUAL PROPERTY OF THE BRONZE CRAFT CORPORATION, NASHUA, NH, USA.
 REPRODUCTION OF THIS DOCUMENT OR THE DESIGN DEPICTED HEREIN, WITHOUT EXPRESS WRITTEN CONSENT OF THE BRONZE CRAFT CORPORATION IS PROHIBITED.
 © 2005

TOLERANCES UNLESS OTHERWISE SPECIFIED:
 MACHINED FEATURES FRAC. 1/64 DECIMAL .01 XX .005 ANGULAR 1 HOLE DIA. +.003/- .002

bc THE BRONZE CRAFT CORP.
 NASHUA, N.H.

B/C ITEM NUMBER
204 001

CONSISTANT WITH PRODUCTION REV. **C**

DO NOT USE FOR PRODUCTION

DO NOT USE FOR PRODUCTION

ORIGINAL